

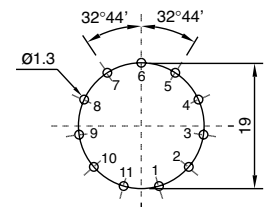
**S3-L, S3-P, S3-PO**

Socket for PCB and soldering, according to IEC 67-I-5b for relays C3-...

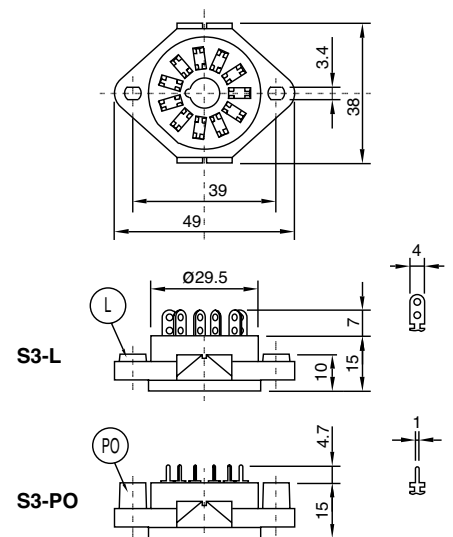
<b>Type</b>	<b>S3-L</b> 3-pole, flange panel mountable
	<b>S3-PO</b> 3-pole, printed circuit with flange
<b>Rated current</b>	<b>10 A</b>
<b>Specifications</b>	
Rated load	10 A / 250 V
Dielectric strength adjacent pin	2.5 kV
Weight	17g
<b>Accessories</b>	
Retaining spring, steel	<b>S3-C</b>



**Printed circuit lay-out [mm]**



**Dimensions [mm]**



**Technical approvals, conformities**



EN 60947-1, EN 61810-1