

XPER310

Single foot switch, Harmony XPE, metal, orange, with cover, 1 step, 1 contact 1NC+NO, IP66



Main

Range of Product	Harmony XPE
Product or Component Type	Foot switch
Material	Metal
Foot switch type	Single foot switch
Device short name	XPER
Provided Equipment	Cover
Trigger mechanism	Without trigger mechanism
Contact operation	1 step
Contacts type and composition	1 NC + 1 NO
Color	Orange

Complementary

Positive opening	With EN/IEC 60947-5-1 appendix K
Connections - terminals	Screw clamp terminal, $\leq 1 \times 2.5 \text{ mm}^2$ with or without cable end Screw clamp terminal, $\leq 2 \times 1.5 \text{ mm}^2$ with or without cable end
Cable entry	2 entries tapped for Pg 16 cable gland
Mechanical durability	15000000 cycles
[Ie] rated operational current	3 A, 240 V, AC-15, A300 0.27 A, 250 V, DC-13, Q300 EN/IEC 60947-5-1 appendix A
[Ui] rated insulation voltage	500 V 3)EN/IEC 60947-1 500 V 3)NF C 20-040 group C 500 V 3)VDE 0110 group C 300 VUL 508 300 VCSA C22.2 No 14
[Uimp] rated impulse withstand voltage	6 kV EN/IEC 60947-1
Maximum resistance across terminals	25 MOhm IEC 60255-7 category 3 25 MOhm NF C 93-050 method A
Short-circuit protection	10 A cartridge fuse gG EN/IEC 60947-5-1 10 A cartridge fuse gG VDE 0660-200
Rated operational power in W	10 W DC-13 60 cyc/mn, 5000000 cycles, 24 V 0.5 EN/IEC 60947-5-1 appendix C 4 W DC-13 60 cyc/mn, 5000000 cycles, 120 V 0.5 EN/IEC 60947-5-1 appendix C 7 W DC-13 60 cyc/mn, 5000000 cycles, 48 V 0.5 EN/IEC 60947-5-1 appendix C
Net Weight	5.29 lb(US) (2.4 kg)

Environment

Standards	NF E 09-031
Product Certifications	FIMKO
Protective treatment	TC
Ambient Air Temperature for Operation	-13...158 °F (-25...70 °C)
Ambient Air Temperature for Storage	-40...158 °F (-40...70 °C)
Vibration resistance	15 gn 10...500 Hz)IEC 60068-2-6
Shock resistance	150 gn NF E 09-031 20 gn IEC 60068-2-27
Overvoltage category	Class I EN/IEC 61140 Class I NF C 20-030
IP degree of protection	IP66 conforming to IEC 60529 IP669 conforming to NF C 20-010

Ordering and shipping details

Category	18406-WORLD SERVICE PARTS(OTHER OP INT)
Discount Schedule	CS2
GTIN	3389110470871
Returnability	No
Country of origin	FR

Packing Units

Unit Type of Package 1	PCE
Number of Units in Package 1	1
Package 1 Height	7.48 in (19.000 cm)
Package 1 Width	8.66 in (22.000 cm)
Package 1 Length	9.25 in (23.500 cm)
Package 1 Weight	5.29 lb(US) (2.398 kg)
Unit Type of Package 2	P06
Number of Units in Package 2	30
Package 2 Height	29.53 in (75.000 cm)
Package 2 Width	23.62 in (60.000 cm)
Package 2 Length	31.50 in (80.000 cm)
Package 2 Weight	194.01 lb(US) (88.000 kg)

Offer Sustainability

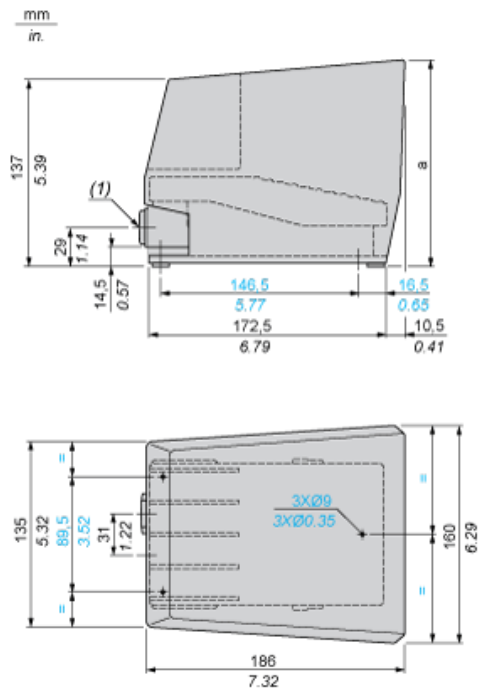
California proposition 65	WARNING: This product can expose you to chemicals including: Di-isodecyl phthalate (DIDP), which is known to the State of California to cause birth defects or other reproductive harm. For more information go to www.P65Warnings.ca.gov
REACH Regulation	REACH Declaration
REACH free of SVHC	Yes
EU RoHS Directive	Pro-active compliance (Product out of EU RoHS legal scope) EU RoHS Declaration
Toxic heavy metal free	Yes
Mercury free	Yes
China RoHS Regulation	China RoHS Declaration
RoHS exemption information	Yes
WEEE	The product must be disposed on European Union markets following specific waste collection and never end up in rubbish bins.

Contractual warranty

Warranty	18 months
----------	-----------

Single Pedal Metal Foot Switch with Protective Cover

Dimensions



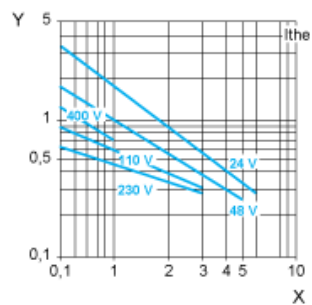
(1) 2 tapped entries for n° 16 (Pg 16) cable gland. For ISO M20, use adaptor DE9RA620.

Electrical Durability of Contacts

AC-15 Utilization Category

Operating rate: 3600 operating cycles/hour. Load factor: 0.5.

Inductive circuit:



X Current in A

Y Millions of operating cycles

DC-13 Utilization Category

Refer to the product characteristic "Operational power in W".