



RFL3V-LED80

Performance Flood Light



Slipfitter



Yoke



Knuckle

(Mounting Sold Separately)

IDEAL APPLICATIONS

- ✓ Facades
- ✓ Monuments
- ✓ Flood Lighting
- ✓ Sign Lighting

DESCRIPTION:

Shine a spotlight on monuments, heritage and architectural building facades, large outdoor signage, and typical flood light applications with RAB Design's High-Performance LED floods. The RFLV-Series offers different lumen packages, wide and narrow beam distributions, custom paint finish, mounting systems, and more.

FEATURES:

- Die cast aluminum with powder coat paint finish and a clear polycarbonate lens.
- Bronze finish is standard. Custom paint options available.
- Available in two beam distributions. Wide beam (NEMA 6X6) for general flood for applications requiring a large and uniform light pattern or Narrow beam (NEMA 4X4) for accenting monuments and facades.
- Knuckle Mount (1/2" NPS), Slipfitter or Yoke Mount Options available.
- Mounting option of choice to be purchased separately and can be custom painted.
- Wire Guard and Visor accessories are optional.
- Photocell included as a standard option, can be deactivated by covering with the cap provided.

SPECIFICATIONS

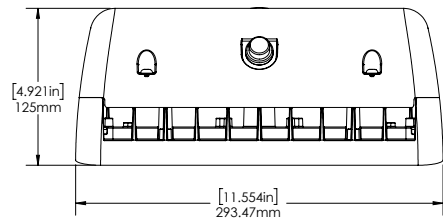
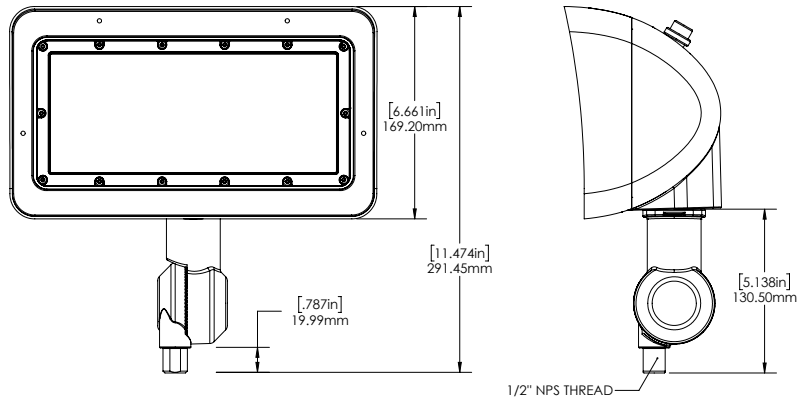
RFL3V-LED80

Watts	81.62 W
Lumens	11765 lm
Efficacy	144.14 lm/W
Voltage	120-277V*, 347V
CCT	3000K/4000K/5000K*
CRI	72.3
Dimming	0-10V Dim to Off
THD	10.61%
PF	0.99
Beam Distribution	Wide (NEMA 6x6)*, Narrow (NEMA 4x4)
LED Life (L80)	>72000 hours
Housing Finish	Bronze*, Custom Colours
Housing Details	Die Cast Aluminum
Lens Details	Clear Polycarbonate Lens
Operating Temp.	-40°C to +40°C (-40°F to 104°F)
Cable Length	1m Cab Tire Cable (STW 5x18 AWG)
Mounting	Yoke, Knuckle, Slipfitter
Factory Installed Options	10kV Surge Suppressor
Options Sold Separately	Yoke, Knuckle, Wire Guard, Visor
Certifications Logos	UL, Wet Locations, IP65, DLC Premium

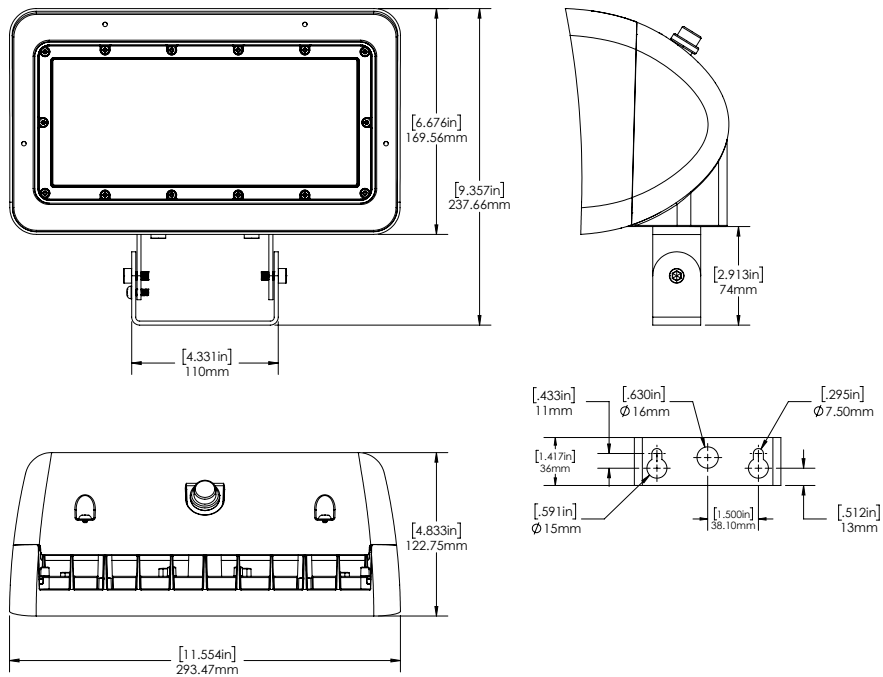
Note: Specs shown are for 120-277V/5000K
*Standard Configuration



DIMENSIONS:

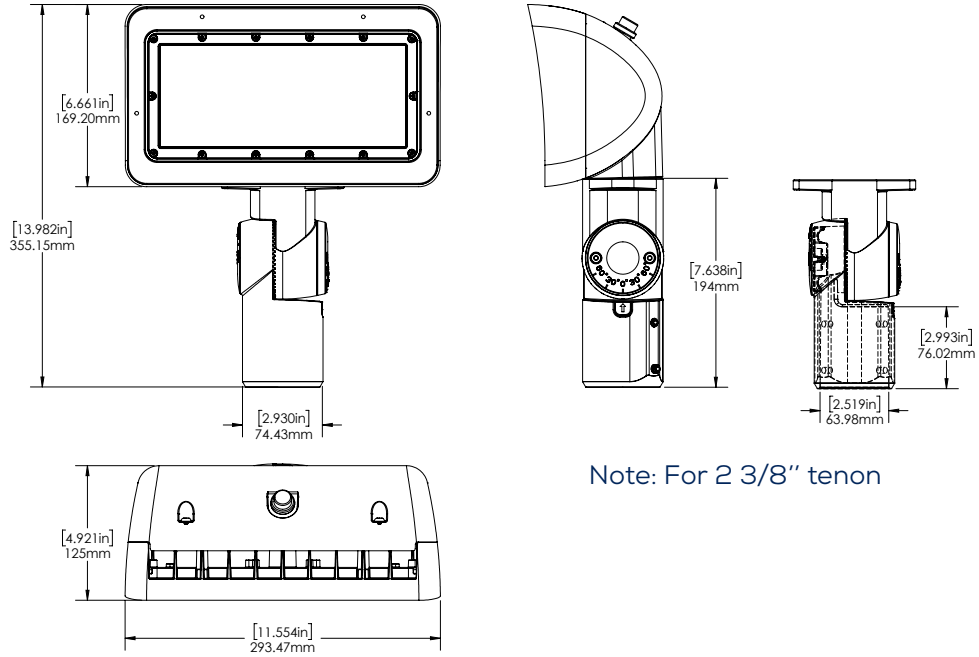


Knuckle Mount



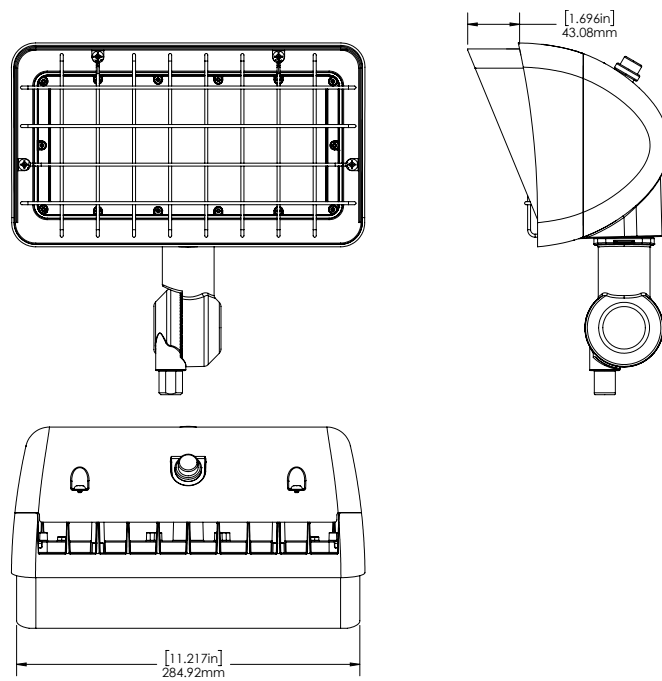
Yoke Mount

DIMENSIONS:



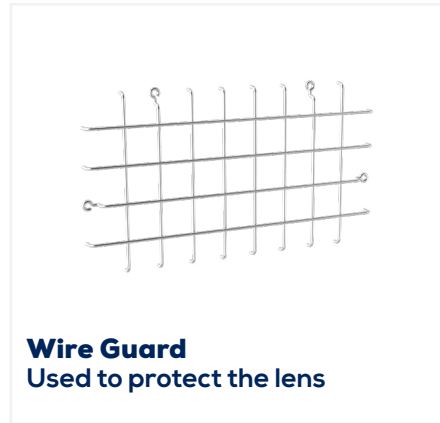
Note: For 2 3/8" tenon

Slipfitter



Knuckle Mount with Wire Guard & Visor

ACCESSORIES:



Note: Hardware for installation included in package
Visor and wire guard can be used together

AMPERAGE DRAW & SURGE PROTECTION							
	CURRENT (A)					INTERNAL SURGE PROTECTION (kV)	
	120V	208V	240V	277V	347V	120-277V	347V
RFL3V-LED80	0.72A	0.42A	0.36A	0.31A	0.25A	6kV	6kV

TM-21 ESTIMATED LUMEN MAINTENANCE			
	50,000 Hours	75,000 Hours	100,000 Hours
RFL3V-LED80	87.2%	81.2%	75.6%

Life hours are derived from IESNA LM-80 testing report and projected per IESNA TM-21 calculations.

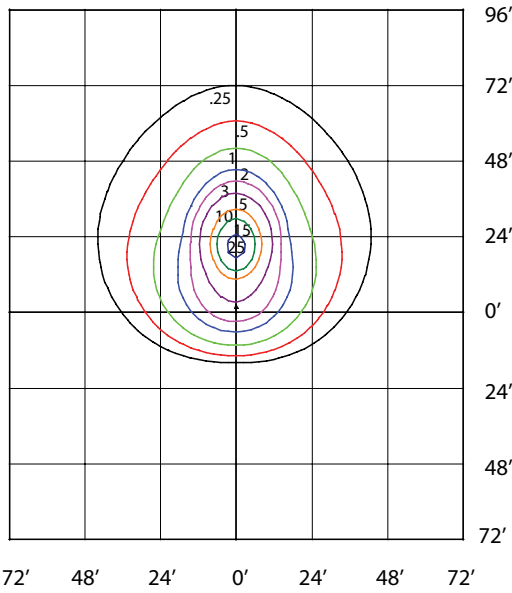
EPA (ft ²)			
	0° Tilt	45° Tilt	90° Tilt
RFL3V-LED80	0.520	0.767	0.909

WEIGHTS (lbs)	
RFL3V-LED80	7.44

RFL3V-LED80-B-5K-N-BRZ-DIM-PC
MOUNTED AT 20 FEET

Lumens 11077

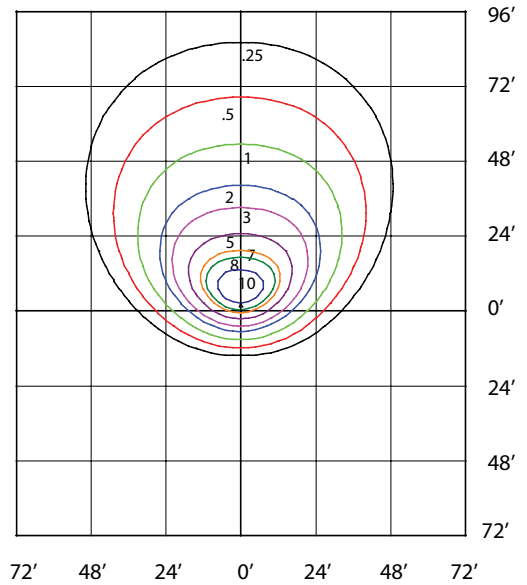
Maximum Calculated Value 29.75 Fc



RFL3V-LED80-B-5K-W-BRZ-DIM-PC
MOUNTED AT 20 FEET

Lumens 11769

Maximum Calculated Value 12.12 Fc



ORDERING GUIDE:

Fixture	Wattage	Voltage	Colour Temp.	Optics	Finish	Dimming	Controls	Surge Protection
RFL3V	LED80	B - 120-277V* C - 347V	3K - 3000K 4K - 4000K 5K - 5000K*	N - 4x4 W - 6x6*	BRZ - Bronze* CC - Custom Colour	DIM - 0-10V Dimming	PC - Photocell	Blank SP10 - 10kV Surge Protection

* Standard Configuration

Note: Fixture comes with photocontrol covered with cap.
Remove cap to activate photocell.

Ordering Guide For Accessories

Check the items that you wish to order:

- 002478 RFL1V/RFL2V/RFL3V KNUCKLE MOUNT BRZ
- 002480 RFL1V/RFL2V/RFL3V YOKE MOUNT BRZ
- 002482 RFL3V/RFL4V SLIP FIT MOUNT BRZ
- 002351 RFL3V WIRE GUARD
- 002355 RFL3V VISOR BRZ