

Wallbox Lighting Controls

Project Name:	Prepared By:
Project Number:	Date:
Catalog Number:	Type:



ACCELL Smart Dimmers

Single-Pole & Multi-location
1000W/VA

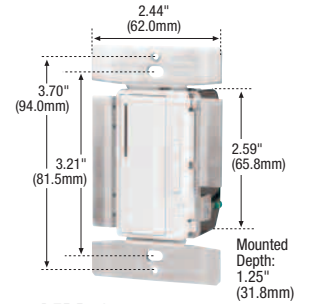
Incandescent, Halogen, Magnetic Low-Voltage, Fluorescent

ACCELL Smart Dimmers

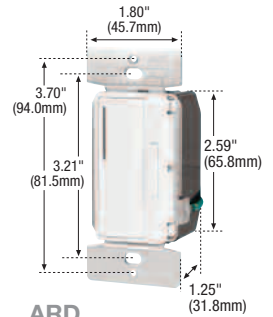
FEATURES

- Electro-mechanical push pad for ON/OFF operation with separate DIM/BRIGHT bar.
- Push pad design provides minimal travel and crisp actuation
- Preset feature allows user to return to previous light setting when turning lights on.
- LED light level display for presetting illumination levels and master/accessory units for multi-location control.
- Amber LED at bottom of LED display indicates ON/OFF load status.
- Seven step green LED display on push pad indicates selected light level – and reduces brightness when OFF (night light feature).
- Pressing and holding push pad for 2 seconds when dimmer is off brings light to full brightness without affecting preset levels.
- Offers a 10 second delayed-off feature by pressing and holding push pad for 2 seconds when dimmer is on.
- Replaces a standard switch and offers dimmer capabilities.
- Digital circuitry provides aesthetically pleasing soft-on/fade-off that extends lamp life.

- Neutral is not required for installation of device (excluding Fluorescent Dimmer models).
- Incandescent and Magnetic Low-Voltage offered in single unit version.
- Installation speed enhancements include virtually unbreakable, ultrasonically welded top and backbody, extra-long, extra-wide mounting straps and easy access ground screws.
- Air-gap switch disconnects power from load, forcing an OFF condition.
- Radio Frequency Interference (RFI) filtering for radio, audio and video equipment.
- Power failure memory.
- Electrostatic discharge protection.
- Square Law Dimming – perceived dimming level is proportional to the slider position.
- Color change kits are available to allow for quick changes and less inventory.
- Tri-color packaged versions offered which provide one unit box with three color faceplates.
- Compatible with any decorator wallplate.



AIM10



ARD

ACCELL Smart Dimmers, Wire Leads



Rating	For Lamp Type(s) or Fan Control Type	Description	Catalog No. Color Suffix
1000W/VA 120V/AC	Incandescent, Halogen, Magnetic Low-Voltage	Smart Master Dimmer, Single-Pole/Multi-Location with Preset and LEDs	□ AIM10- ____ A, B, BK, C1, C2, GY, LA, V, W
1000W/VA 120V/AC	Fluorescent (Mark 10®, AmbiStar® & Tu-Wire®)	Smart Master Dimmer, Single-Pole/Multi-Location with Preset and LEDs	□ AF10- ____ A, B, BK, C1, C2, GY, LA, V, W
— 120V/AC	—	Accessory Dimmer, Multi-Location, with Preset and LEDs	□ ARD- ____ A, B, BK, C1, C2, GY, LA, V, W
—	—	Master Dimmer Change Kit	□ AMC- ____ -BP A, B, BK, GY, LA, V, W
—	—	Accessory Dimmer Change Kit	□ ARC- ____ -BP A, B, BK, GY, LA, V, W

Mark 10 and AmbiStar are registered trademarks of Phillips Advance.
Tu-Wire is a registered trademark of Lutron.

Color Ordering Information

For ordering, include Cat. No. followed by the color code: A (Almond), B (Brown), BK (Black), C1 (Color Change Kit - Almond, White, Ivory), C2 (Color Change Kit - Light Almond, White, Ivory), GY (Gray), LA (Light Almond), V (Ivory), W (White)

TESTING & CODE COMPLIANCE

- cULus Listed to UL1472, file no. E47967
- NOM Certified

MATERIAL CHARACTERISTICS

- Environmental: Flammability meets UL 94 requirements; V2 rated
- Temperature Rating: 0°C to 40°C (32°F to 104°F)

Wallbox Lighting Controls Specification & Performance Data

Project Name:	Prepared By:
Project Number:	Date:
Catalog Number:	Type:



ACCELL Smart Dimmers

Single-Pole & Multi-location
1000W/VA
Incandescent, Halogen, Magnetic Low-Voltage, Fluorescent

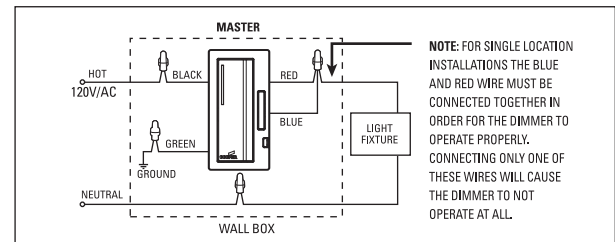
Application

ACCELL Smart Dimmers provide a smooth, full range digital dimming for Incandescent, Magnetic Low-Voltage, and Fluorescent lighting. In addition, an Accessory Dimmer is included in the product series for multi-location control for up to 5 locations. This line offers combined Single-Pole/Multi-Location units for 1000W and 1000VA lamp loads. All ACCELL dimmers are compatible with any decorator designer-style wallplates.

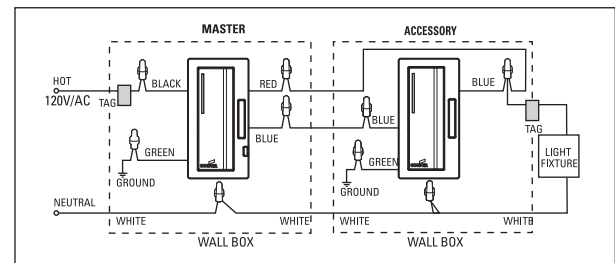
	Device Type	ACCELL Smart Dimmers, AIM, AF, ARD Series
	Wiring Type	6" pre-stripped wire leads, #14 AWG
	Testing & Code Compliance	<ul style="list-style-type: none"> cULus Listed to UL1472, file no. E47967 NOM Certified
Specifications: Environmental	Flammability	Meets UL 94 requirements; V2 rated
	Temperature Rating	0°C to 40°C (32°F to 104°F)
Specifications: Electrical	Rating	120V/AC 60 Hz
	Light Intensity Control	Full-range, continuously variable dimming
	Dimming Performance	Smooth and continuous Square Law Dimming curve Solid State Dimming
	Surge Protection	Meets ANSI/IEEE Std. C62.41-1980, tested to withstand voltage surges up to 6000V and current surges of up to 200A without damage
	Radio Frequency Interference	Designed to reduce interference with radio, audio and video equipment
	Power-failure Memory	Light returns to same level prior to power interruption
	Lamp Ratings	Incandescent, Halogen, Magnetic Low-Voltage, Fluorescent
Specifications: Mechanical	Wiring Types	Single-pole & multi-location
	LED Indicators	Load status indicator, light level & locator
	Air-gap Switch	Meets UL20 and UL1472 for inclusion of visible, accessible air-gap off switch
	Voltage Ratings	Permanently marked on device
Materials:	Top Housing	Polycarbonate
	Bottom Housing	Polycarbonate
	Strap	Aluminum
	Form Factor	Decorator
	Finish	Gloss

De-Rating Chart	1000W Models			Fluorescent Models		
	No Sides Removed	1 Side Removed	2 Sides Removed	No Sides Removed	1 Side Removed	2 Sides Removed
Incandescent	1000W max.	800W max.	800W max.			
Magnetic Low-Voltage	1000VA max.	800VA max.	800VA max.			
Fluorescent				8.3A max.	6.6A max.	6.6 A max.

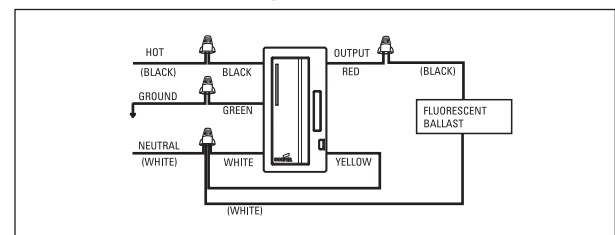
Dimmer without Neutral, Single-Pole, INC/MLV



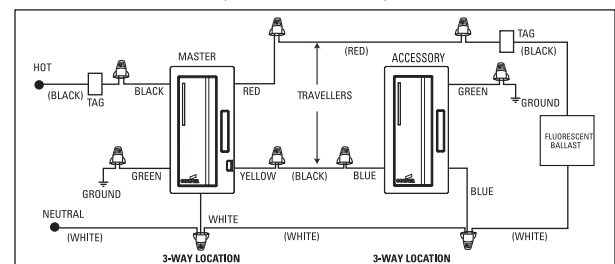
Dimmer without Neutral, Multi-Location, INC/MLV



Dimmer with Neutral, Single-Pole, Fluorescent



Dimmer with Neutral, Multi-Location, Fluorescent



Specifications subject to change without notice.