

FEATURES

- Designed for applications requiring a clean, decorative appearance
- Provides high angle brightness control
- Acrylic prismatic diffuser with luminous ends soften appearance
- Intended for surface or stem mounting, unit or row installation

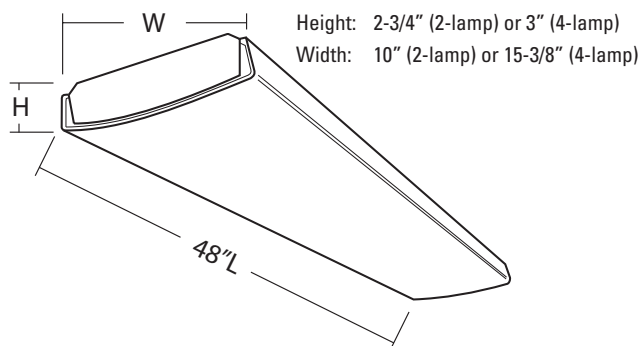
Curved-Basket Wraps



ORDERING INFORMATION

Catalog Number	UPC	Description	# of Lamps	Wattage	# of Ballast	Voltage	Ballast Type	Lamp Included	Pallet Qty.	Standard Carton Qty.
LB232 MV	745975088508	Wraparound	2	32	1	120-277	NEMA Premium®, Instant Start	N	56	1
LB432 MV	745975088492	Wraparound	4	32	1	120-277	NEMA Premium®, Instant Start	N	34	1

DIMENSIONS



ACCESSORIES

- **DLB48** 48" Replacement Lens for 2-Lamp
- **D2LB48** 48" Replacement Lens for 4-Lamp

Certain airborne contaminants can diminish integrity of acrylic. See pg.116 for Acrylic Compatibility table for suitable uses.

Curved-Basket Wraps

LB



FEATURES

- Designed for applications requiring a clean, decorative appearance
- Provides high angle brightness control
- Acrylic prismatic diffuser with luminous ends soften appearance
- Intended for surface or stem mounting, unit or row installation

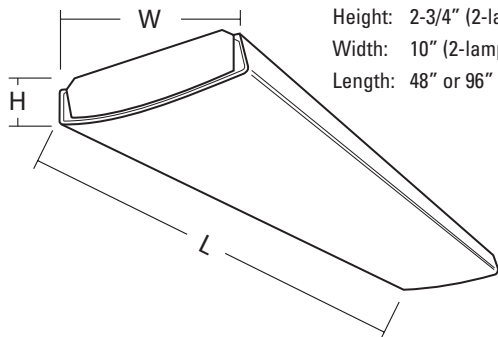
ORDERING INFORMATION

(For Hydro approved ballasts replace GEB101S with: Osram - OS10ISX or Phillips - AINP)

Catalog Number	UPC	Description	# of Lamps	Wattage	# of Ballast	Voltage*	Lamp Included	Pallet Qty.	Standard Carton Qty.
LB 2 17 MVOLT GEB101S	745972176260	Curved-Profile, Wraparound	2	17	1	120-277	N	56	1
LB 2 32 MVOLT GEB101S	784231151105	Curved-Profile, Wraparound	2	32	1	120-277	N	56	1
LB 3 32 MVOLT 1/3 GEB101S	784231151112	Curved-Profile, Wraparound	3	32	1	120-277	N	34	1
LB 4 32 MVOLT GEB101S	784231163979	Curved-Profile, Wraparound	4	32	2	120-277	N	34	1
LB 4 32 MVOLT 1/4 GEB101S	784231151129	Curved-Profile, Wraparound	4	32	1	120-277	N	34	1
TLB 2 32 MVOLT 1/4 GEB101S	784231159385	Tandem, Curved-Profile Wraparound	4	32	1	120-277	N	42	1

*Also available in 347V

DIMENSIONS



Height: 2-3/4" (2-lamp) or 3" (3- and 4-lamp)
 Width: 10" (2-lamp) or 15-3/8" (3- and 4-lamp)
 Length: 48" or 96" (tandem)

ACCESSORIES

- **DLB48** 48" Replacement Lens for 2-Lamp
- **D2LB48** 48" Replacement Lens for 4-Lamp

Certain airborne contaminants can diminish integrity of acrylic. See pg.116 for Acrylic Compatibility table for suitable uses.